

Original MINI Accessories. Installation Instructions.



Mud flaps retrofit MINI One (R56) MINI Cooper (R56) MINI Cooper S (R56)

Retrofit kit no.:	82 16 0 415 114	Front mud flaps for all vehicles
	82 16 0 415 115	Rear mud flaps for MINI One and MINI Cooper
	82 16 0 415 116	Rear mud flaps for MINI Cooper S

Installation time

The installation time per axle is approx. 0.5 hours, but may vary depending on the condition of the car and the equipment in it.

Important information

These installation instructions are primarily designed for use within the MINI dealership organisation as well as by authorised BMW service companies.

In any event, the target group for these installation instructions is specialist personnel trained on MINI cars with the appropriate specialist knowledge.

All work must be completed using the latest MINI repair manuals, circuit diagrams, servicing manuals and work instructions, in a rational order, using the prescribed tools (special tools) and observing current health and safety regulations.

To avoid unnecessary extra work and/or costs, if any installation or function problem occurs, after a brief troubleshooting session (approx. 0.5 hours), please contact the following:

- 1. Either your national subsidiary or your regional office, or**
- 2. The support team via the Aftersales Assistance Portal (ASAP), using the optional technical parts support application.**

Specify the chassis number and the part number of the installed retrofit kit and give a precise description of the problem.

Do not archive the hard copy of these installation instructions since daily updates are made by ASAP!

Pictograms



Denotes instructions that draw your attention to dangers.



Denotes instructions that draw your attention to special features.

' Denotes the end of the instruction or caution text.

Installation information

Clean gluing surfaces with Betaclean 3350 or spirit and ensure that they are **free of grease**.

When gluing, the ambient temperature may not fall below 15°C or rise above 35°C.

The vehicle is operation after approximately **six hours** and can be taken through a car wash after **48 hours**.

The installation is shown in part for the left side of the vehicle only, proceed in the same way for the right side of the vehicle.

Notes on ordering

A cleaning agent is not included in the delivery specification.

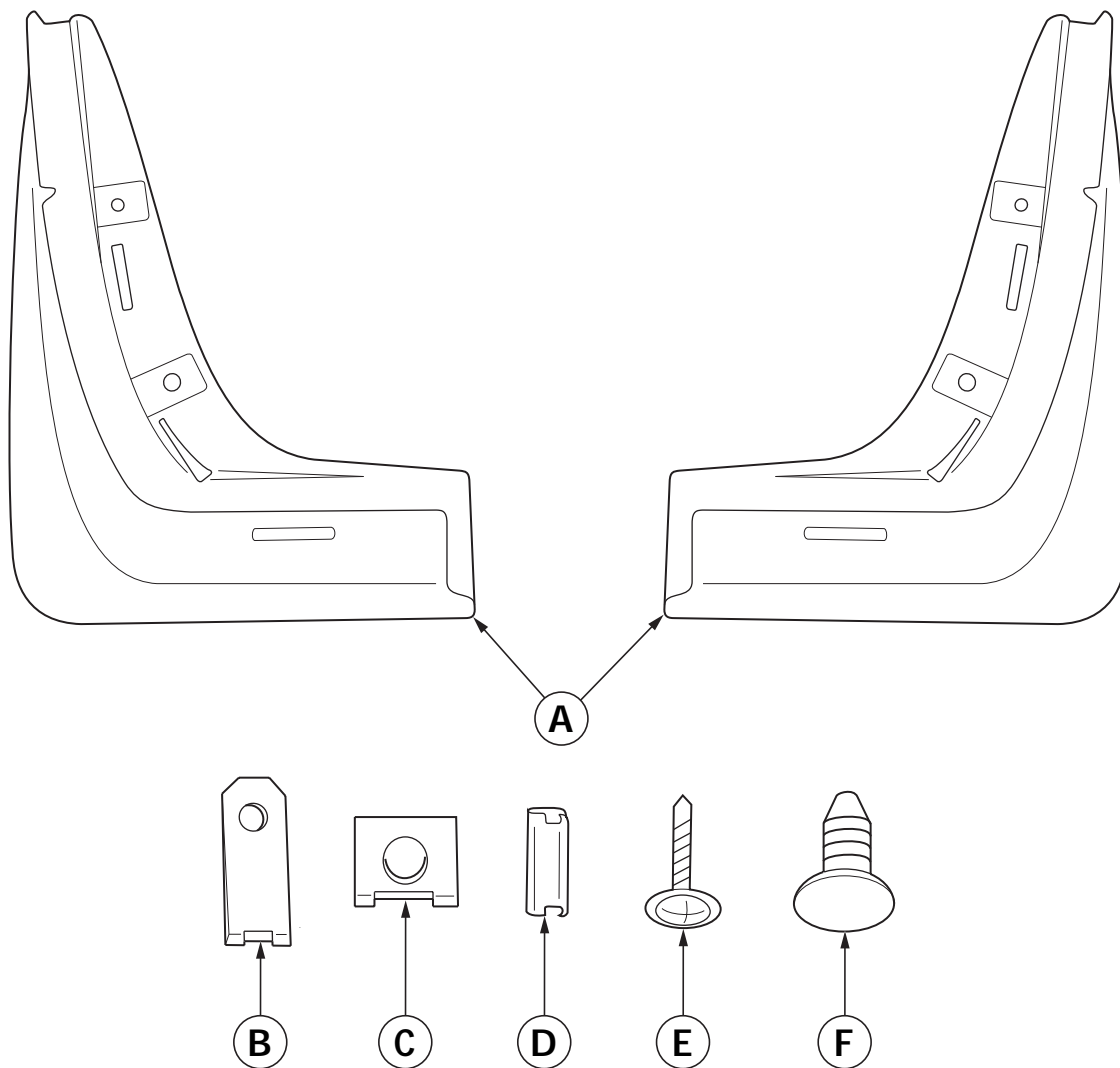
Special tools required

None

Contents

Section	Page
1. Parts overview, front	4
2. Parts overview, rear	5
3. Preparatory work	6
4. Attaching front mud flaps	7
5. Attaching rear mud flaps	10

1. Parts overview, front



056 0001 E

Legend

A Front mud flaps (2x)

B Long sheet metal nut (2x)

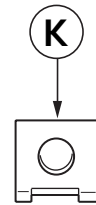
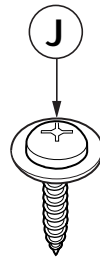
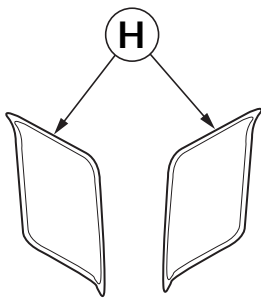
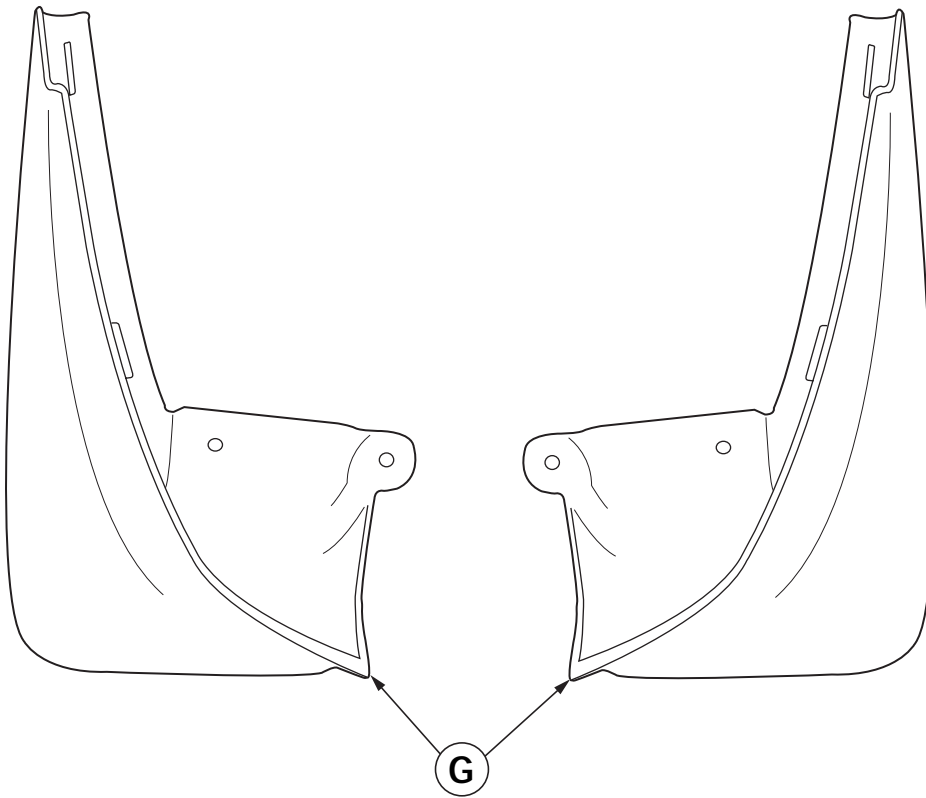
C Short sheet metal nut (2x)

D Metal tab (6x)

E Tapping screw (4x)

F Dowel (2x)

2. Parts overview, rear



056 0002 E

Legend

G Rear mud flaps (2x)

H Mud flap trim (ECE only) (2x)

I Metal tab (4x)

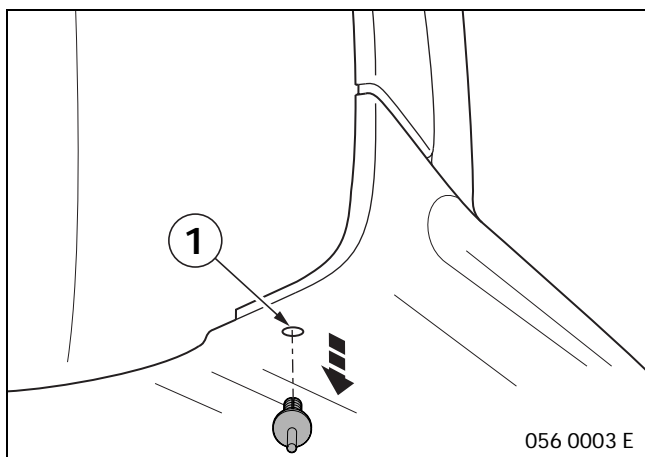
J Screw 4.8 x 22 mm (4x)

K Sheet metal nut 4.8 mm (4x)

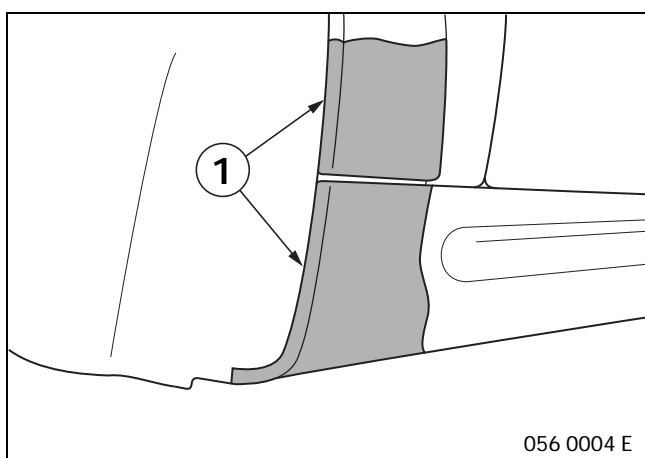
3. Preparatory work

	TIS No.
Dismantle the following components beforehand:	
Remove and attach left and right rear wheels (only for the fitting of rear mud flaps)	33 10 300

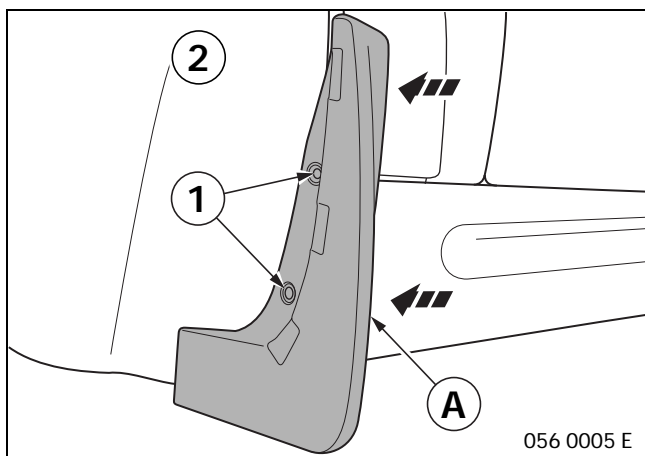
4. Attaching front mud flaps



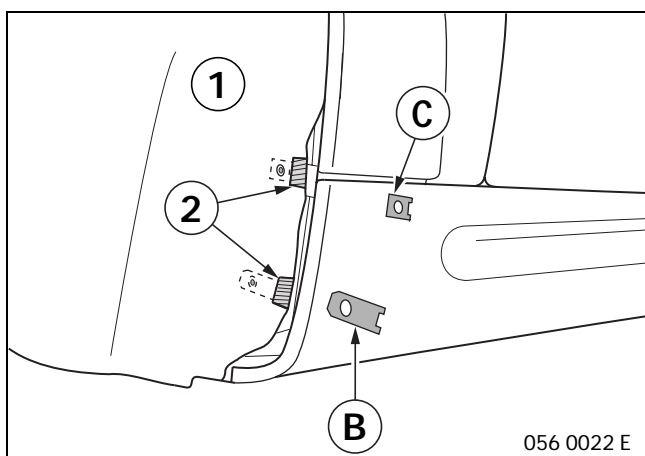
In the rear left wheel arch, pull out expander rivet (1). It is no longer required.



Clean gluing surfaces extensively (1).



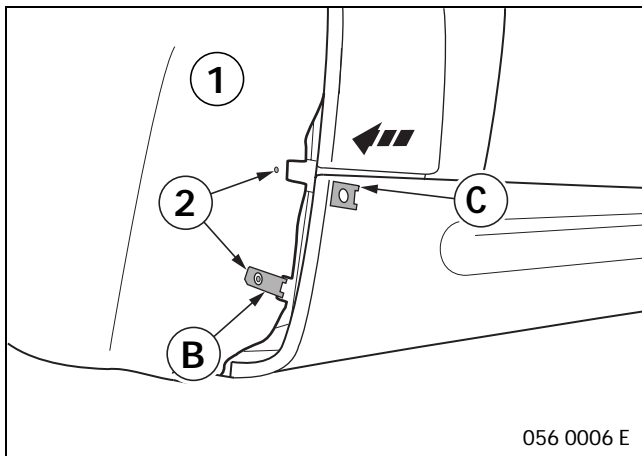
Position mud flaps **A** precisely and transfer bores (1) onto wheel arch cover (2).



Insert cutout for sheet metal nuts:

- Pull out wheel arch cover (1).
- Position sheet metal nut **B** (long) bottom, sheet metal nut **C** (short) top.
- Cut out hatched area (2) of the wheel arch trim (1) until sheet metal nuts **B/C** match with the transferred bores.

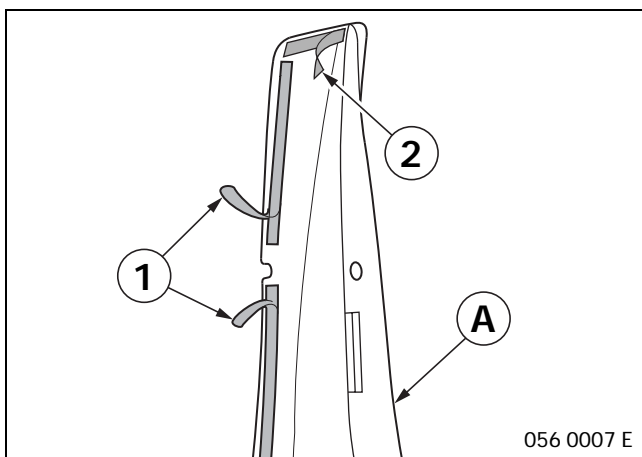
4. Attaching front mud flaps



Assemble sheet metal nuts **B/C** as follows:

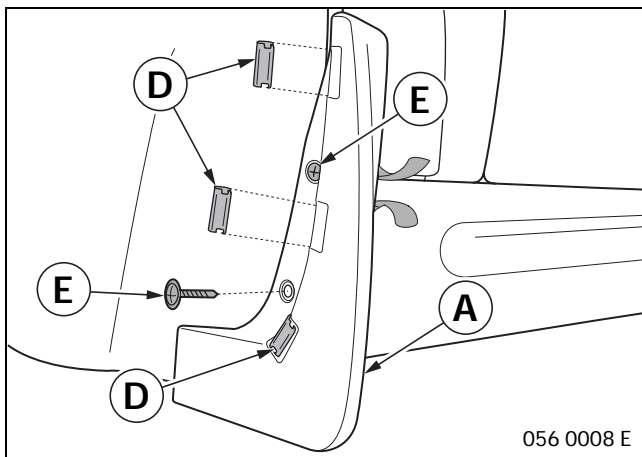
- Attach sheet metal nut **B** (long) at the lower mark (2) on the wheel arch cover (1).
- Attach sheet metal nut **C** (short) at the upper mark (2) on the wheel arch cover (1).

Re-install wheel arch cover (1).



Pull approx. 2-3 cm. protective film (1) off the gluing pads from each mud flap **A**.

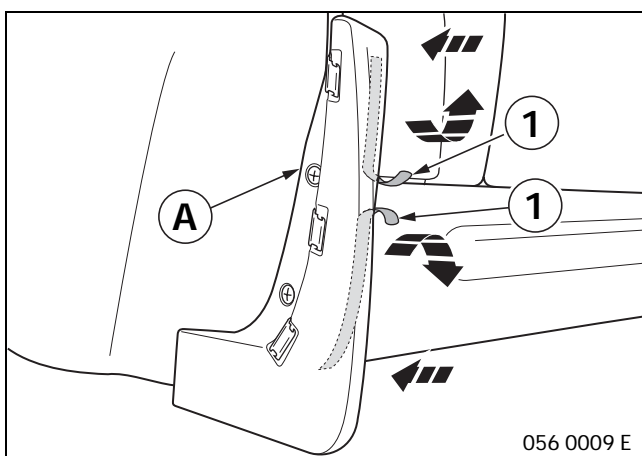
Pull protective film (2) completely off the gluing pad.



Position mud flap **A** precisely on the vehicle and attach to the vehicle with metal tabs **D**.

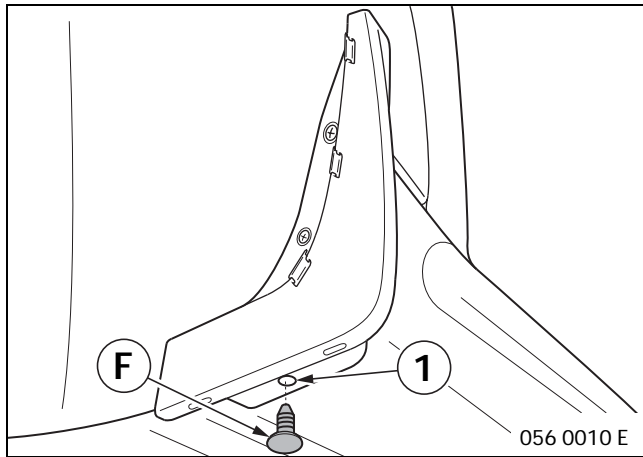
Secure mud flap **A** by bracing while fitting metal tabs **D**.

Screw tapping screws **E** into the sheet metal nuts previously employed.



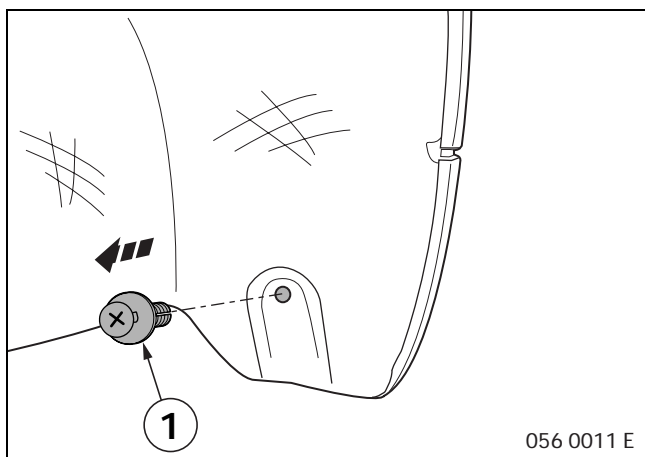
Pull protective film (1) completely off the gluing pads and press on mud flap **A** with a force of approx. 5 kg.

4. Attaching front mud flaps

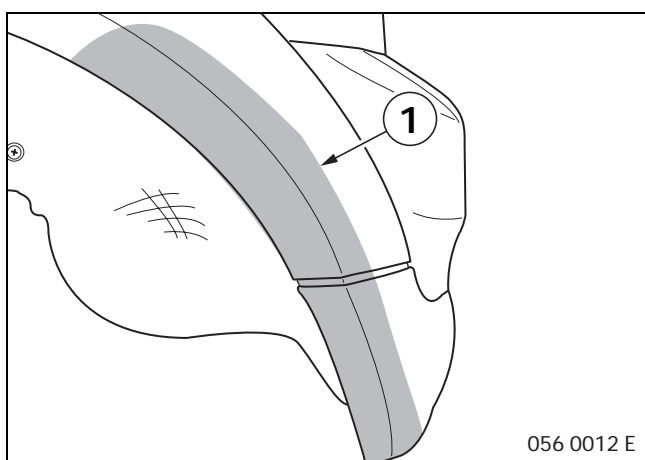


Insert dowel F into the bore (1) from the underside of the vehicle.

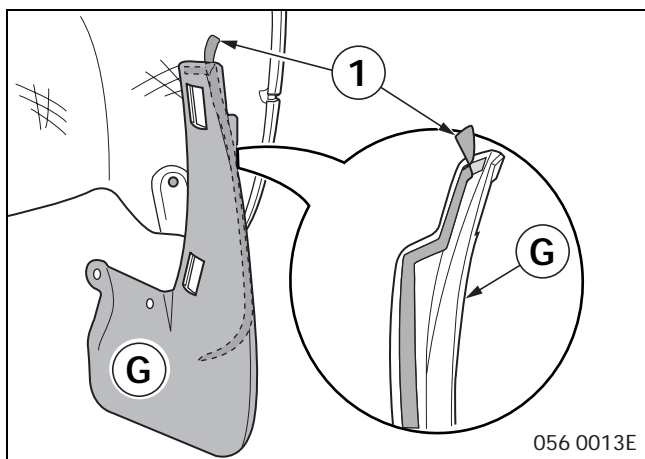
5. Attaching rear mud flaps



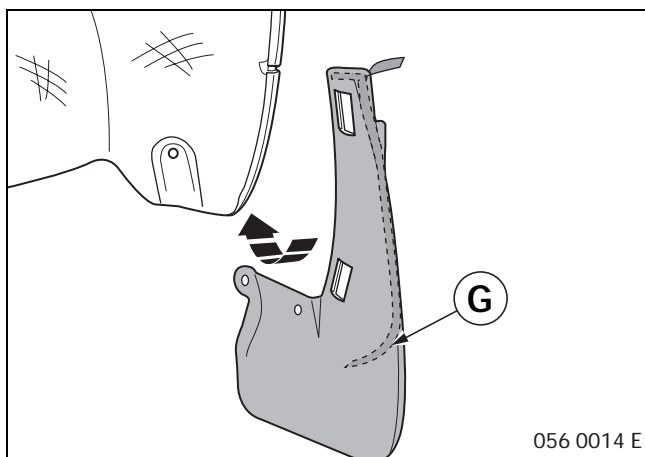
In the rear left wheel arch, pull out expander rivet (1). It is no longer required.



Clean gluing surfaces extensively (1).

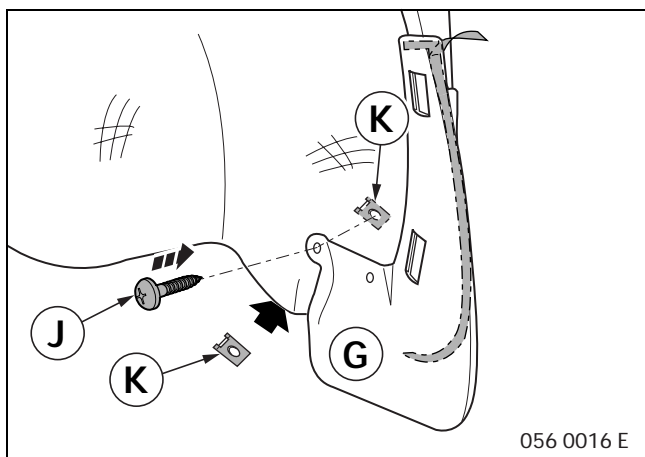


Undo approx. 2-3 cm protective film (1) off the gluing pads of mud flap G.

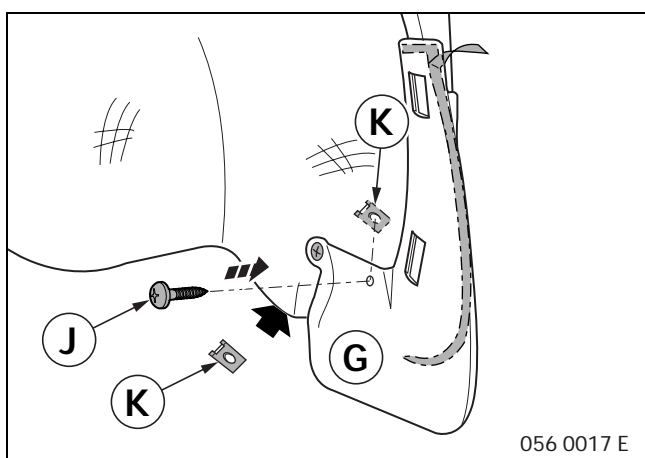


Position mud flap G on the vehicle from below and put into place.

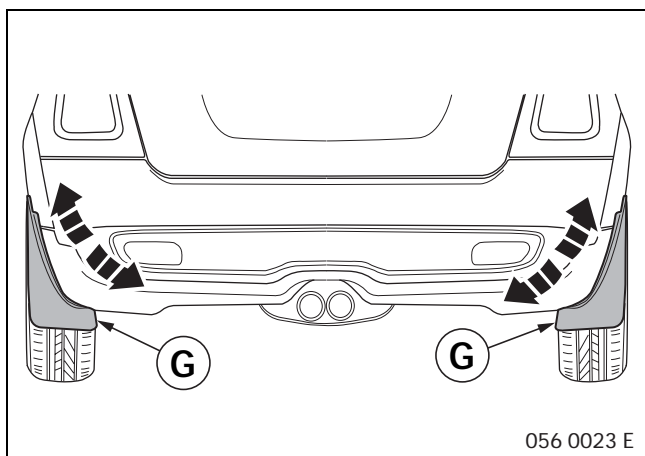
5. Attaching rear mud flaps



Screw self-tapping screw **J** into the existing hole of mud flap **G** and through the wheel arch trim. Brace when bolting sheet metal nut **K** to the back of the wheel arch trim.

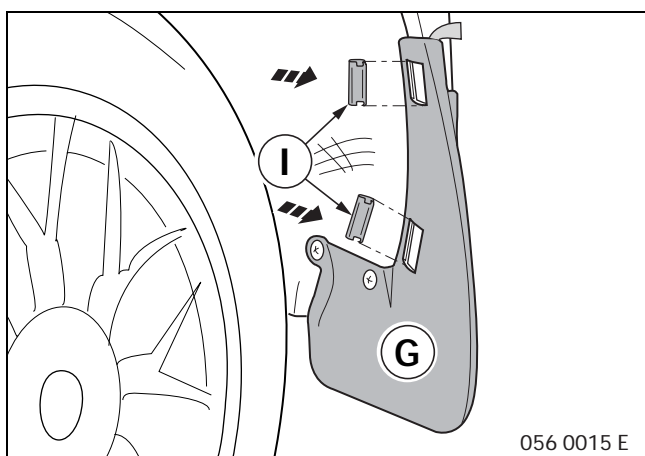


Bolt second self-tapping screw **J** into the existing hole of mud flap **G** and through the wheel arch trim. Brace when bolting sheet metal nut **K** to the back of the wheel arch trim.



Fit the wheels on the vehicle and allow the vehicle to settle completely on the ground. Align mud flaps **G** evenly.

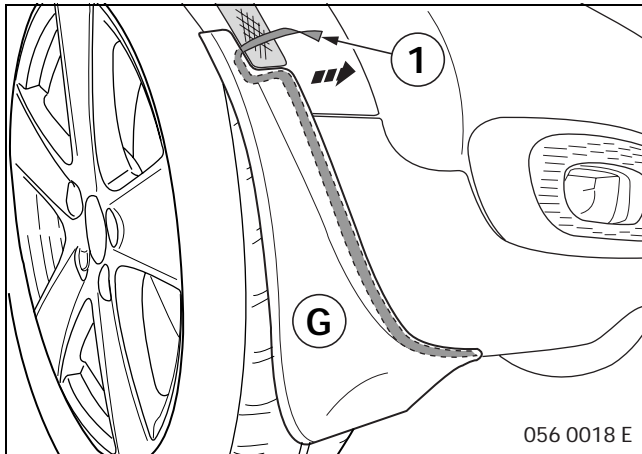
The outer edge of mud flap **G** does **not** extend completely to the outer edge of the tyre.'



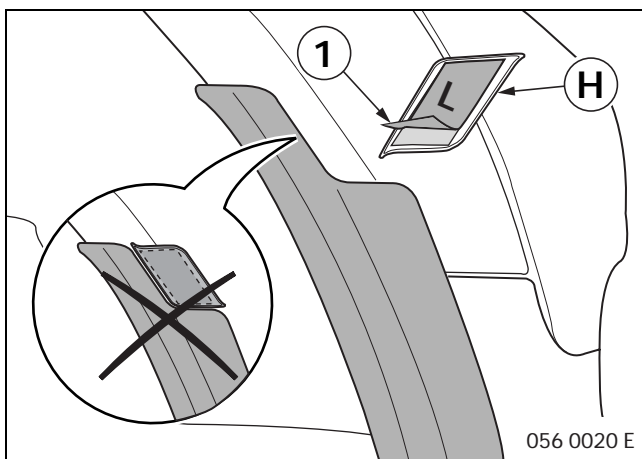
Affix mud flap **G** with metal tabs **I** on the wheel arch seam.

Secure mud flap **G** by bracing while fitting metal tabs **I**.

5. Attaching rear mud flaps




Pull protective film (1) completely off the gluing pads and press on mud flap **G** with a force of approx. 5 kg.



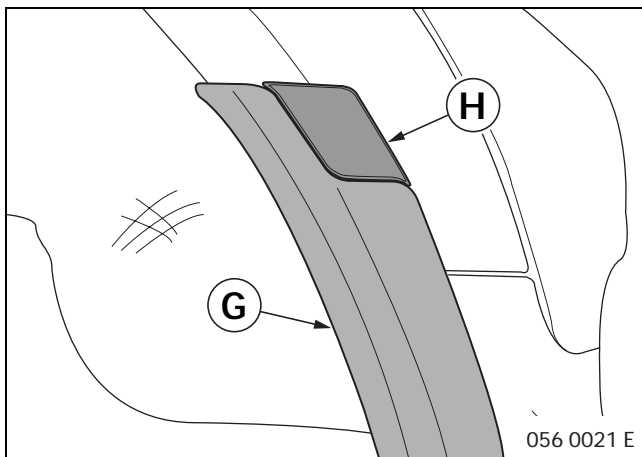
For vehicles with ECE specification only.

Check alignment/fitting of cover **H** before gluing.

L = left side of the vehicle R = right side of the vehicle

 Danger of mix-up/confusion (similar parts).'

Pull protective film (1) off the gluing pad



Insert cover **H** precisely in the recess of mud flap **G** and press on with a force of approx. 5 kg.